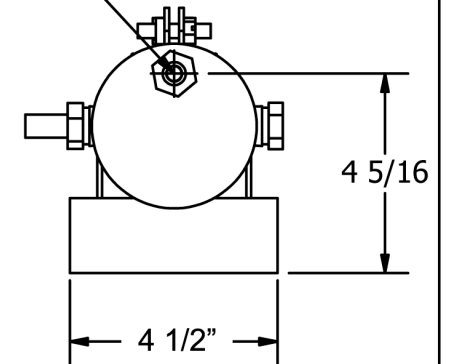
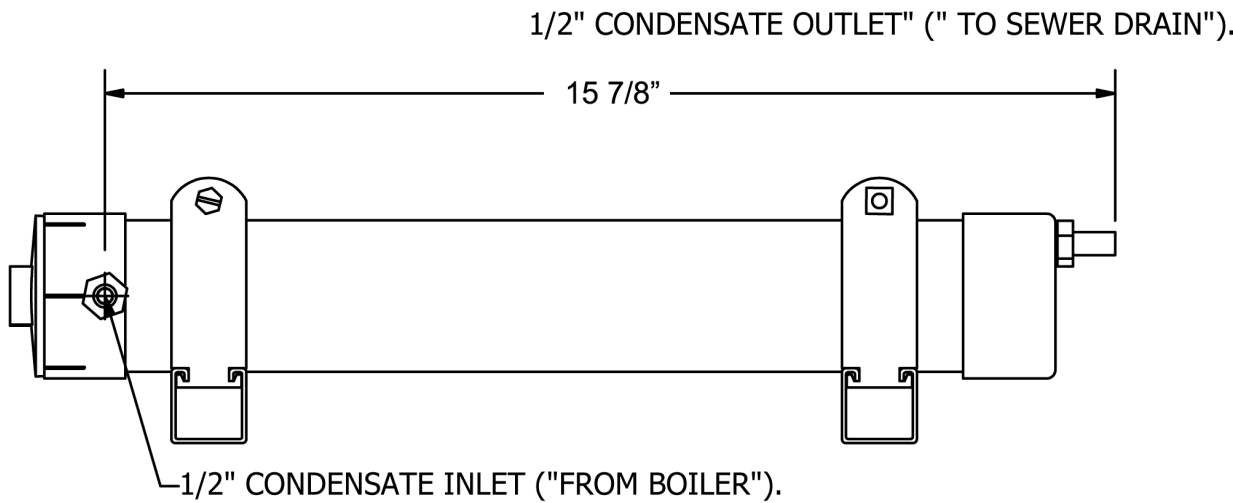


SCALE 1 / 4



NOTE:

ALL DIMENSIONS SHOWN ARE APPROXIAMTE AND MAY VARY DUE TO MANUFACTURING PROCESS TOLERANCE.

PH NEUTRALIZER		REVISION #:
1000 MBH , 4 GPH		
DRAWN BY:	PART No.	
DATE DRAWN:	JM-10	
7/3/2006		