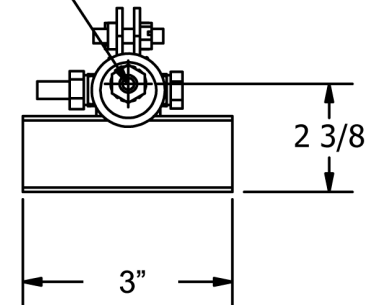
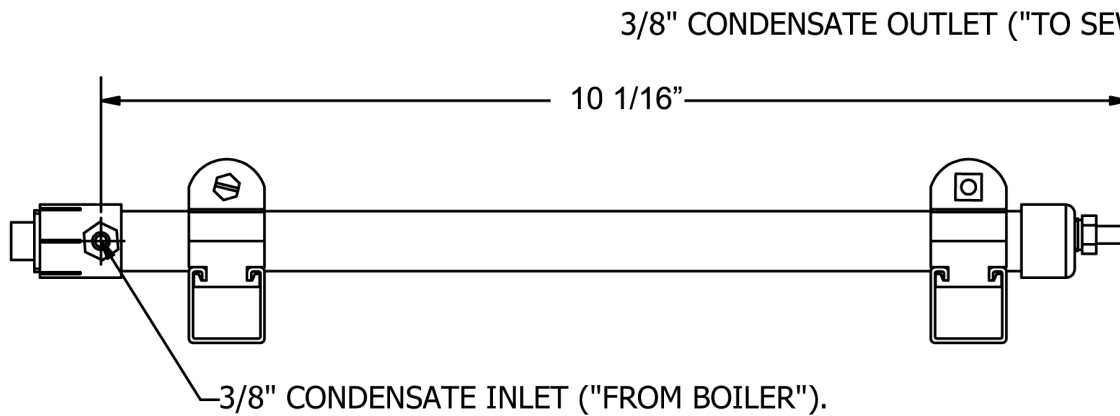


SCALE 1 / 4



NOTE:

ALL DIMENSIONS SHOWN ARE APPROXIAMTE AND MAY VARY DUE TO MANUFACTURING PROCESS TOLERANCE.

<b>PH NEUTRALIZER</b>		REVISION #:
<b>200 MBH , 2 GPH</b>		
DRAWN BY:	PART No.	
DATE DRAWN:		
7/3/2006		JM-2