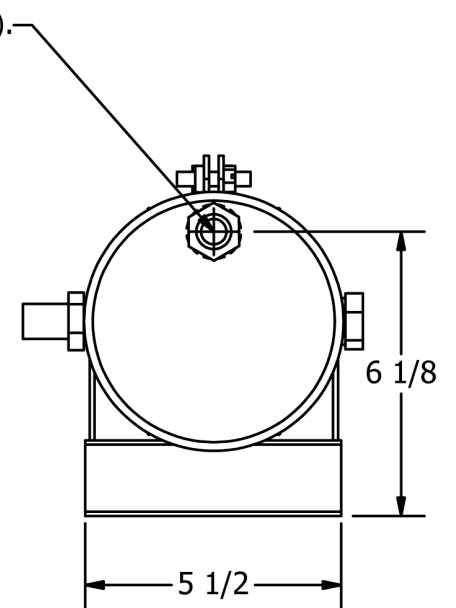
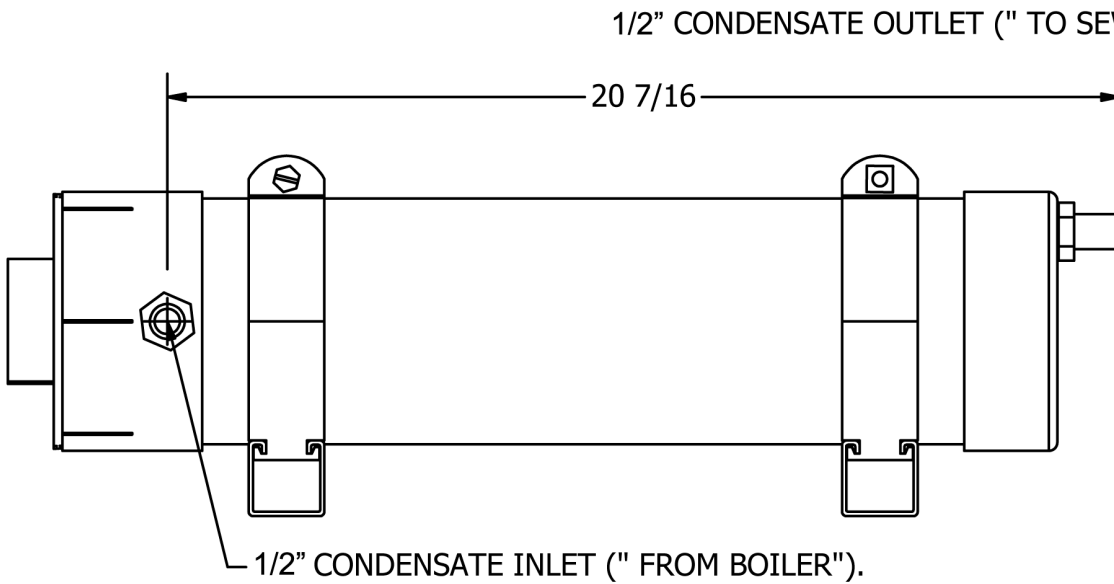


SCALE 1 / 4



NOTE:

ALL DIMENSIONS SHOWN ARE APPROXIAMTE AND MAY VARY DUE TO MANUFACTURING PROCESS TOLERANCE.

<b>PH NEUTRALIZER 3000 MBH , 8 GPH</b>		REVISION #:
DRAWN BY:	PART No.	
DATE DRAWN: 7/3/2006	JM-30	