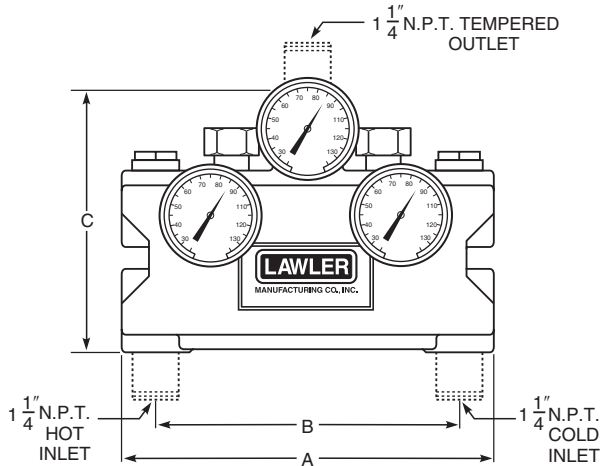


ENG. NO. 8334-H
 PAT. NO. 5,011,074.
 PAT. NO. 5,379,936.
 PAT. NO. 5,647,531.

Thermostatic Mixing Valve Model 911® Emergency Showers Unit No. 8334



Allow for 5" Depth

The Emergency Shower Mixing Valve shall employ two fully independent control mechanisms which split the flow in half, blend each half to the design temperature and then integrate each stream at the outlet. The valve shall control outlet temperature over a wide range of flow and shall be suitable for deluge shower or eyewash applications in order to comply with ANSI standard Z358.1-2004. The valve shall include three thermometers to measure the temperature of each stream and the merged flow. Temperature adjustment shall be vandal-resistant.

Each independent control mechanism shall employ a liquid-filled thermostatic motor to drive the valve without additional power requirements. Each control mechanism shall employ a stainless steel sliding piston control device with reverse seat closure and both fixed and variable cold water bypass.

In the event of interruption of the cold water supply, each control mechanism closes off the hot water port, stopping all flow.

In the event of interruption of the hot water supply, each control mechanism shall allow cold flow through both the fixed and variable by pass.

In the event that one liquid motor fails, the control mechanism closes off the hot water port with the reverse seat and fully opens the internal variable bypass to allow cold water flow. The other control mechanism will be unaffected by the failure and will maintain design temperature.

Maximum Inlet Pressure: 125 PSI.

Recommended Supply Pressure: 65 PSI.

Recommended Inlet Temperature: 120°F.*

Connections: 1 1/4" NPT

Capacity: 60 GPM at 30 PSID

TEMP. RANGE

70° to 90°F

SET POINT

85°F



MANUFACTURING CO., INC.

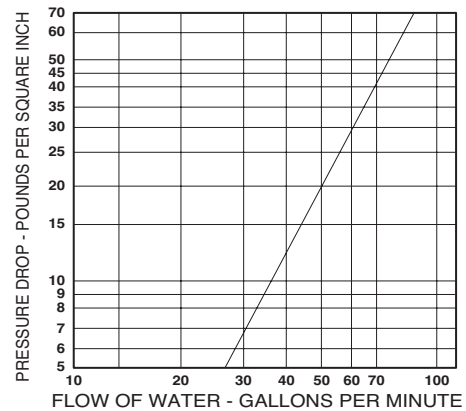
5330 East 25th Street
 Indianapolis, Indiana 46218
 Phone (317) 261-1212
 Fax (317) 261-1208

Helps meet
 ANSI standard
 Z358.1-2004

DIMENSIONS:

Valve Number	A	B	C
911	11"	9"	8"

CAPACITY OF TYPE 911 THERMOSTATIC MIXING VALVE FOR EMERGENCY SHOWERS



CAPACITIES - SERIES 911

Pressure Drop PSI	5	10	20	30	45
Tempered Flow	25	35	50	60	72
Cold Water Bypass	14	20	28	40	45

Lock set Mounting Bracket

Lock set includes lockable cover plate and keyed padlock to prevent unauthorized temperature adjustment.

Note: Valve must be installed with check valves. If shut off valves are installed in the shower line for maintenance purposes, provisions shall be made to prevent unauthorized shut off. Hot and cold water inlet pressures must be equal.

Provisions shall be made to thermally isolate the valve.

*When supplying 140°F or greater, additional outlet controls should be used.

Specification subject to change without notice.