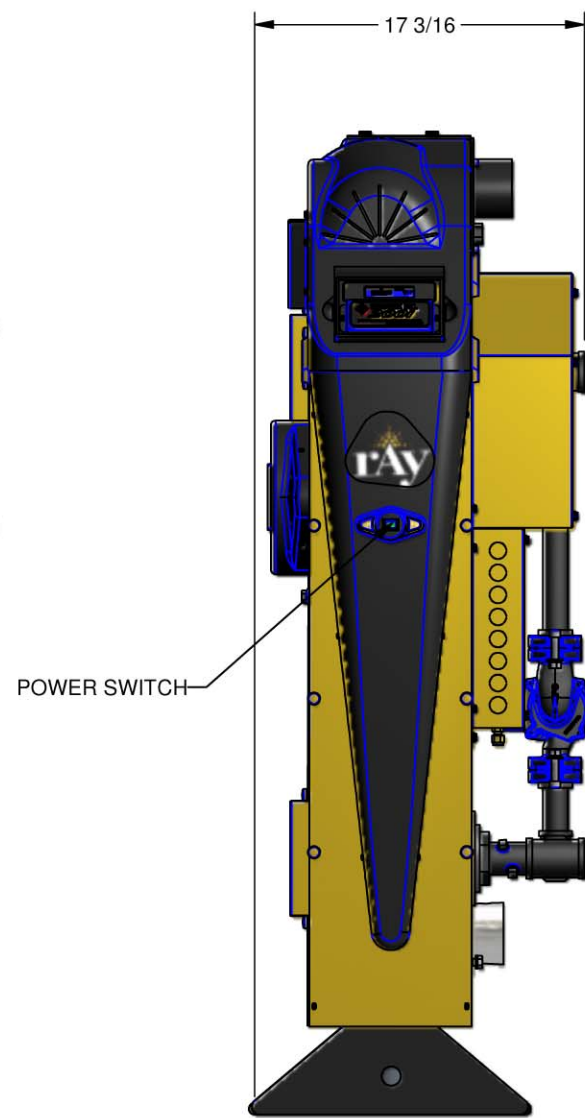
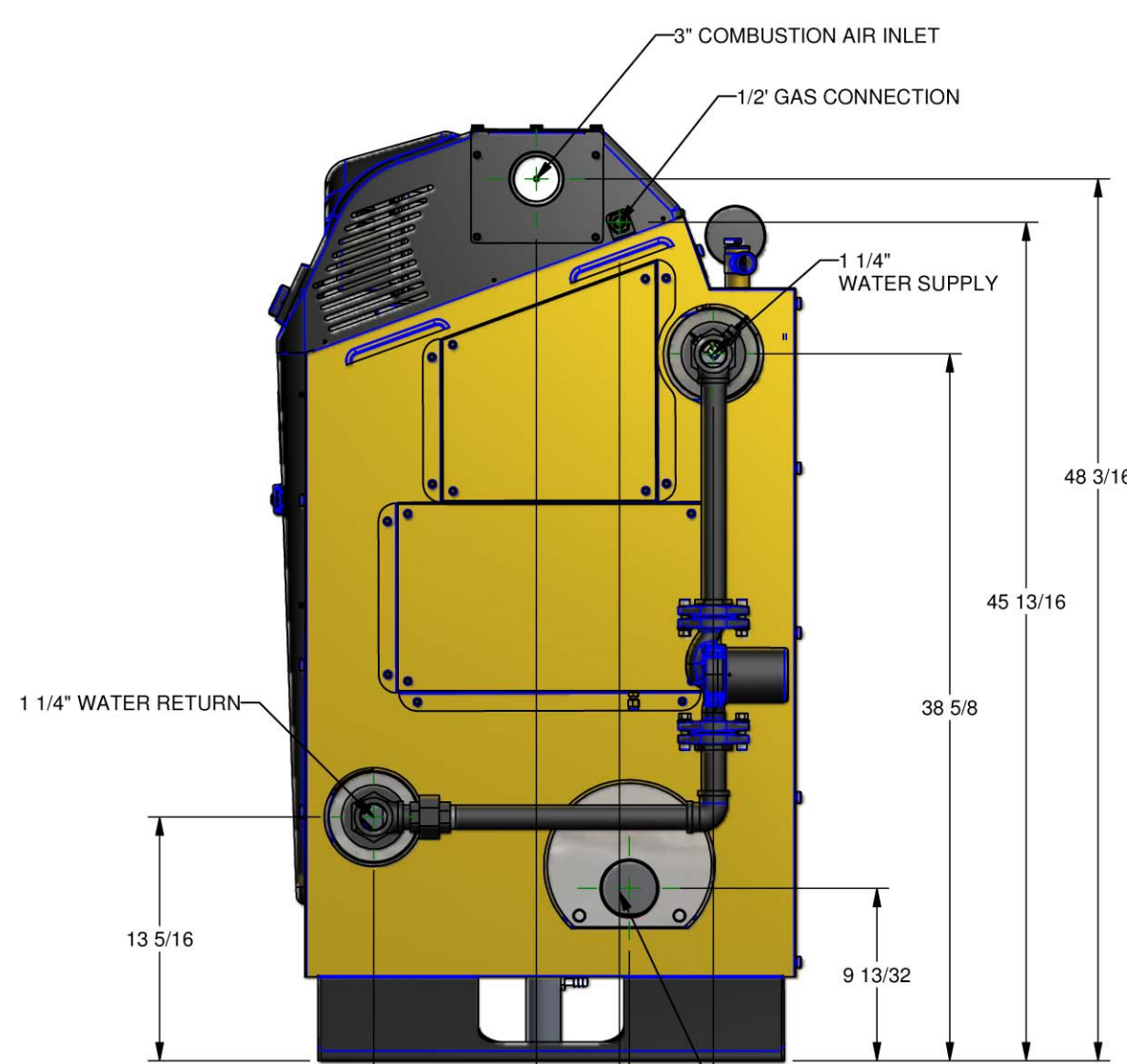


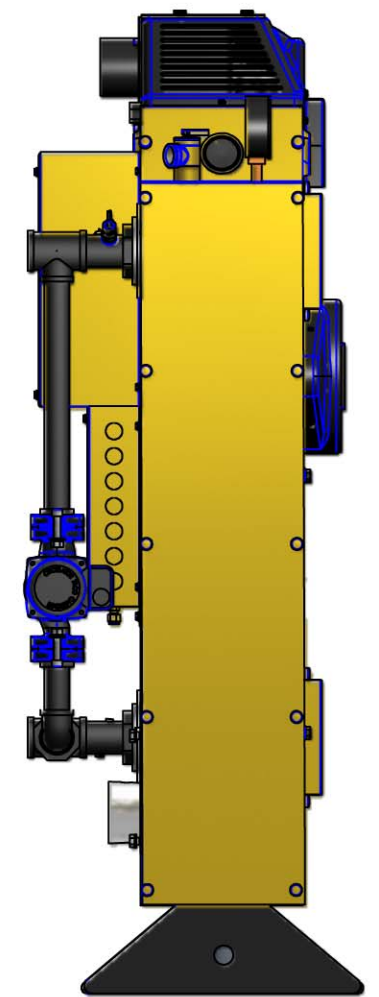
LEFT SIDE



FRONT

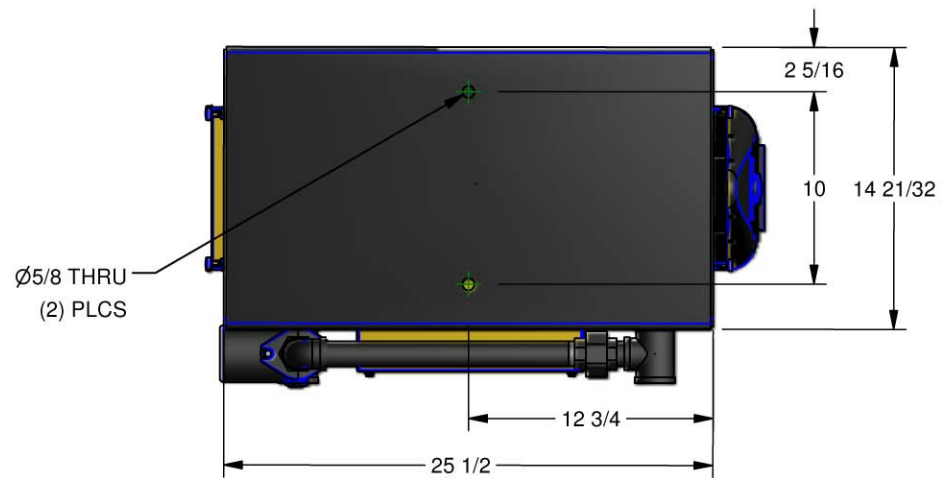


RIGHT SIDE



REAR

DRAIN ASSY WITH 1/2\"/>



**NOTE:** Dimensions are approximate and should not be used to "rough-in" equipment.  
 HSUB-6 REV B 2/28/08

**Mestek Inc.®**

Division of Mestek, Inc Westfield, MA 01085  
 Ph. (413) 562.9631 Fx. (413) 562-3799