

CODE OPTIONS

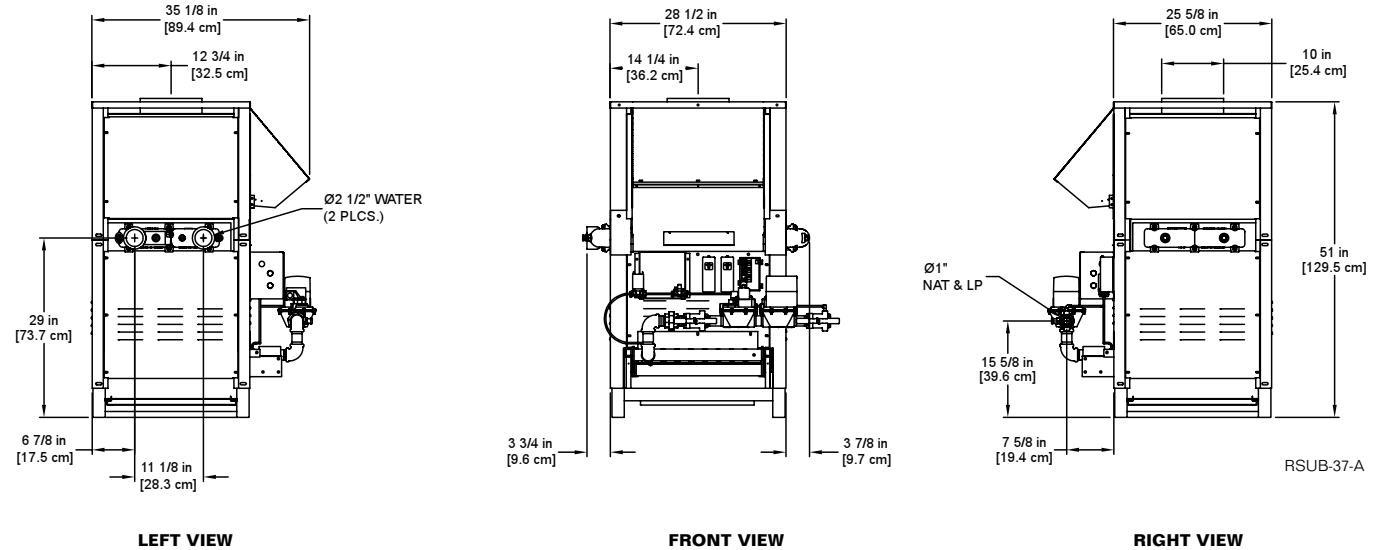
CSD-1	UTC 1003-616A Ignition Control UTC Lockout/Reset Control Manual Reset LWCO
IRI	IRI requirements as listed in IM.4.1.1 (two motorized safety valves with N.O.V.V. no longer applies to listed atmospheric gas boilers). The addition of CSD-1 option satisfies IRI requirement for the 8900 Series.
Kentucky (Water Htr Only)	200° F Maximum Operating Control and High Limit

NOTE: Dimensions are approximate and should not be used to "rough-in" equipment.

* Add circulator amps.

** For incoming gas pressures lower than 6" W.C. natural or 11" W.C. propane, consult factory.

Supply and return pipe may have 2-1/2" x 2" reducing fitting installed.



A.G.A. CERTIFIED RATINGS & CAPACITIES

Fuel Type	Natural/Propane Gas	Boiler FLA	1*
Input BTU/hr.	420,000 / 123 kW	Min. Gas Pressure Required	6" W.C.**
Output BTU/hr.	340,200 / 100 kW	Max. Gas Pressure Allowed	14" W.C.
Electrical Requirements	120VAC / 1 ph / 60 hz	Operating Weight	535 lbs. / 243 kg.

TEMPERATURE RISE / PRESSURE DROP

20° F / 11.1° C			
Flow Rate		Pressure Drop	
GPM	L/s	Ft	kPa
34.0	2.1	0.4	1.1

BOILER TRIM & CONTROLS

Main Gas Valve	Honeywell V8944B 1"	High Limit (HB/HW)	Honeywell L4008E
Firing Valve	Honeywell B200T1033 1"	Ignition Control	Honeywell S8610M
Safety Valve	Honeywell V88A 1"	Solenoid Valve w/Reg.	CV100
Operating Control (HB)	Honeywell L4008A - On/Off	Relief Valve - HW	3/4" x 3/4" set @ 125 psi
Operating Control (HW)	Honeywell L6008A - On/Off	Relief Valve - HB	3/4" x 3/4" set @ 50 psi
Operating Control (HB/HW)	Honeywell L6008G - 2 Stage	Flow Switch	ITT FS4-3
Operating Control (HB/HW)	Honeywell T991E - Mod.		
Operating Control (HB/HW)	Tekmar BTC-4PA-4 Stg.		

RECOVERY CAPACITY

40° F	22° C	60° F	33° C	80° F	44° C	100° F	56° C	120° F	67° C	140° F	78° C
1021	3865	681	2577	511	1932	408	1546	340	1288	292	1104

A.S.M.E.

ASME Sect IV Htg Surface	38.25 Sq. Ft. / 3.55 Sq. M.	Design Data	Max. 160 psig & 250° F
---------------------------------	-----------------------------	--------------------	------------------------

REP FIRM	_____	<h1 style="margin: 0;">8900 420</h1> <p style="margin: 0;">Category I Appliance</p> <p style="margin: 0;">Must be vented into a negative pressure vent system.</p>
SUBMITTED BY	_____	
JOB NAME	_____	
ARCHITECT	_____	
ENGINEER	_____	
CONTRACTOR	_____	 <p>® A Division of Mestek, Inc. Westfield, MA 01085 (413) 568-9571</p>
DATE	_____	