

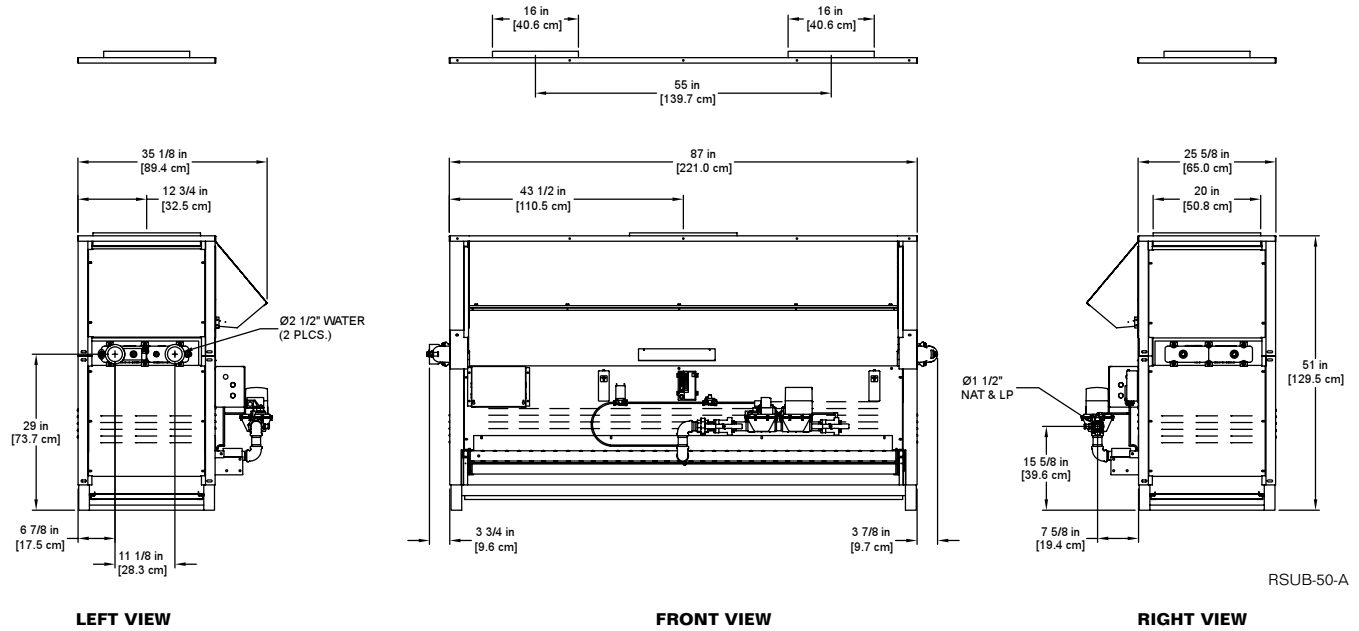
CODE OPTIONS

| | |
|----------------------------------|---|
| CSD-1 | UTC 1003-616A Ignition Control UTC Lockout/Reset Control Manual Reset LWCO |
| IRI | IRI requirements as listed in IM.4.1.1 (two motorized safety valves with N.O.V.V. no longer applies to listed atmospheric gas boilers). The addition of CSD-1 option satisfies IRI requirement for the 8900 Series. |
| Kentucky (Water Htr Only) | 200° F Maximum Operating Control and High Limit |

NOTE: Dimensions are approximate and should not be used to "rough-in" equipment.

* Add circulator amps.

** For incoming gas pressures lower than 6" W.C. natural or 11" W.C. propane, consult factory.



RSUB-50-A

A.G.A. CERTIFIED RATINGS & CAPACITIES

| | | | |
|--------------------------------|-----------------------|-----------------------------------|---------------------|
| Fuel Type | Natural/Propane Gas | Boiler FLA | 1* |
| Input BTU/hr. | 1,790,000 / 524 kW | Min. Gas Pressure Required | 6" W.C.** |
| Output BTU/hr. | 1,449,900 / 425 kW | Max. Gas Pressure Allowed | 14" W.C. |
| Electrical Requirements | 120VAC / 1 ph / 60 hz | Operating Weight | 1148 lbs. / 521 kg. |

TEMPERATURE RISE / PRESSURE DROP

| 30° F / 16.7° C | | | | 35° F / 19.4° C | | | |
|-----------------|-----|---------------|------|-----------------|-----|---------------|------|
| Flow Rate | | Pressure Drop | | Flow Rate | | Pressure Drop | |
| GPM | L/s | Ft | kPa | GPM | L/s | Ft | kPa |
| 96.7* | 6.1 | 9.2 | 27.0 | 82.9 | 5.2 | 6.9 | 20.3 |

*Flow exceeds recommended maximum use a greater temperature rise or consult manufacturer. Cupro-Nickel heat exchanger should be considered.

BOILER TRIM & CONTROLS

| | | | |
|----------------------------------|----------------------------|------------------------------|---------------------------|
| Main Gas Valve | Honeywell V8944B 1 1/2" | High Limit (HB/HW) | Honeywell L4008E |
| Firing Valve | Honeywell B200T1058 1 1/2" | Ignition Control | Honeywell S8610M |
| Safety Valve | Honeywell V88A 1 1/2" | Solenoid Valve w/Reg. | CV100 |
| Operating Control (HB) | Honeywell L4008A - On/Off | Relief Valve - HW | 3/4" x 3/4" set @ 125 psi |
| Operating Control (HW) | Honeywell L6008A - On/Off | Relief Valve - HB | 3/4" x 3/4" set @ 50 psi |
| Operating Control (HB/HW) | Honeywell L6008G - 2 Stage | Flow Switch | ITT FS4-3 |
| Operating Control (HB/HW) | Honeywell T991E - Mod. | | |
| Operating Control (HB/HW) | Tekmar BTC-4PA-4 Stg. | | |

RECOVERY CAPACITY

| 40° F | 22° C | 60° F | 33° C | 80° F | 44° C | 100° F | 56° C | 120° F | 67° C | 140° F | 78° C |
|-------|-------|-------|-------|-------|-------|--------|-------|--------|-------|--------|-------|
| 4351 | 16472 | 2901 | 10981 | 2176 | 8236 | 1741 | 6589 | 1450 | 5491 | 1243 | 4706 |

A.S.M.E.

| | | |
|------------------------------|--------------------|------------------------|
| 139.96 Sq. Ft. / 13.0 Sq. M. | Design Data | Max. 160 psig & 250° F |
|------------------------------|--------------------|------------------------|

| | | |
|---------------------|-------|--|
| REP FIRM | _____ | <h1 style="margin: 0;">8900 1790</h1> <p style="margin: 0;">Category I Appliance</p> <p style="margin: 0;">Must be vented into a negative pressure vent system.</p> |
| SUBMITTED BY | _____ | |
| JOB NAME | _____ | |
| ARCHITECT | _____ | |
| ENGINEER | _____ | |
| CONTRACTOR | _____ | <p>® A Division of Mestek, Inc. Westfield, MA 01085 (413) 568-9571</p> |
| DATE | _____ | |